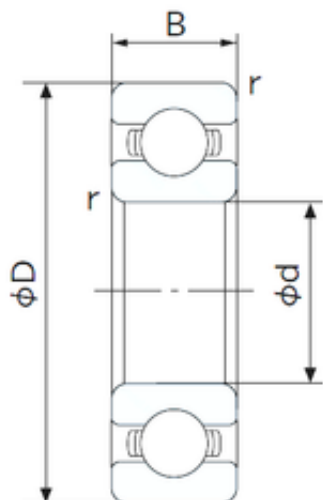




## China 6202 Bearing Supplier



SKF NACHI NTN NSK Koyo 6000 6200 6300  
6800 6900 Series RIs RMS34 SSR8 Series Inch Size  
Deep Groove Ball Bearing

Bearing No. 6000

Size	10x26x8 mm
Bore Diameter	10 mm
Outer Diameter	26 mm
Width	8 mm
d	10 mm
D	26 mm
B	8 mm
C	8 mm
r min.	0.3 mm
da min.	12 mm
Da max.	24 mm
ra max.	0.3 mm
Weight	0.019 Kg
Basic dynamic load rating (C)	4,55 kN
Basic static load rating (C0)	1,97 kN
(Grease) Lubrication Speed	30000 r/min
Enclosure	Open
Bore Type	Cylindrical Bore
Configuration	Single Row
Bore Size	10 mm
Outside Diameter	26 mm
Width	8 mm
Fillet Radius/Chamfer	0.3 mm
Dynamic Load Rating	4,550 N

6000 Bearing 2D drawings and 3D CAD models



## China 6202 Bearing Supplier

Static Load Rating	1,970 N
Limiting Speed - Grease	30,000 rpm
Limiting Speed - Oil	36,000 rpm
Factor $f_0$	12.4
Radial Clearance	0.002 to 0.013 mm
$d_a$ (min)	12 mm
$D_a$ (max)	24 mm
$r_a$ (max)	0.3 mm