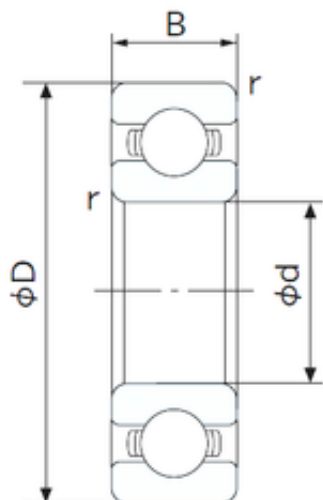




China 6202 Bearing Supplier



6211 Bearing 2D drawings and 3D CAD models

Kent Bearing Factory SKF NACHI
Scooter/Motorbike/Motorcycle Parts 6211 6212
6213 6214 6215 6216 6217 Deep Groove Ball
Bearing

Bearing No. 6211

Size	55x100x21 mm
Bore Diameter	55 mm
Outer Diameter	100 mm
Width	21 mm
d	55 mm
D	100 mm
B	21 mm
C	21 mm
r min.	1.5 mm
da min.	64 mm
Da max.	91 mm
ra max.	1.5 mm
Weight	0.607 Kg
Basic dynamic load rating (C)	43,5 kN
Basic static load rating (C0)	29,3 kN
(Grease) Lubrication Speed	6300 r/min
Category	Single Row Ball Bearings
Inventory	0.0
Manufacturer Name	NACHI
Minimum Buy Quantity	N/A
Weight / Kilogram	0
EAN	4991893724493
Product Group	B00308



China 6202 Bearing Supplier

Enclosure	Open
Precision Class	ABEC 1 ISO P0
Maximum Capacity / Filling Slot	No
Rolling Element	Ball Bearing
Snap Ring	No
Internal Special Features	No
Cage Material	Steel
Internal Clearance	C0-Medium
Inch - Metric	Metric
Long Description	55MM Bore; 100MM Outside Diameter; 21MM Outer Race Width; Open; Ball Bearing; ABEC 1 ISO P0; No Filling Slot; No Snap Ring; No Internal Special Features; C0-Medium Internal Clearance; Steel Cage
Other Features	Deep Groove
Category	Single Row Ball Bearing
UNSPSC	31171504
Harmonized Tariff Code	8482.10.50.68
Noun	Bearing
Keyword String	Ball
Manufacturer URL	http://www.nachiamerica.com
Outer Race Width	0.827 Inch 21 Millimeter
Inner Race Width	0 Inch 0 Millimeter
Outside Diameter	3.937 Inch 100 Millimeter
Bore	2.165 Inch 55 Millimeter
Bore Type	Cylindrical Bore
Configuration	Single Row
Bore Size	55 mm
Width	21 mm



China 6202 Bearing Supplier

Fillet Radius/Chamfer	1.5 mm
Dynamic Load Rating	43,500 N
Static Load Rating	29,300 N
Limiting Speed - Grease	6,400 rpm
Limiting Speed - Oil	7,700 rpm
Factor fo	14.4
Radial Clearance	0.008 to 0.028 mm
da (min)	64 mm
Da (max)	91 mm
ra (max)	1.5 mm